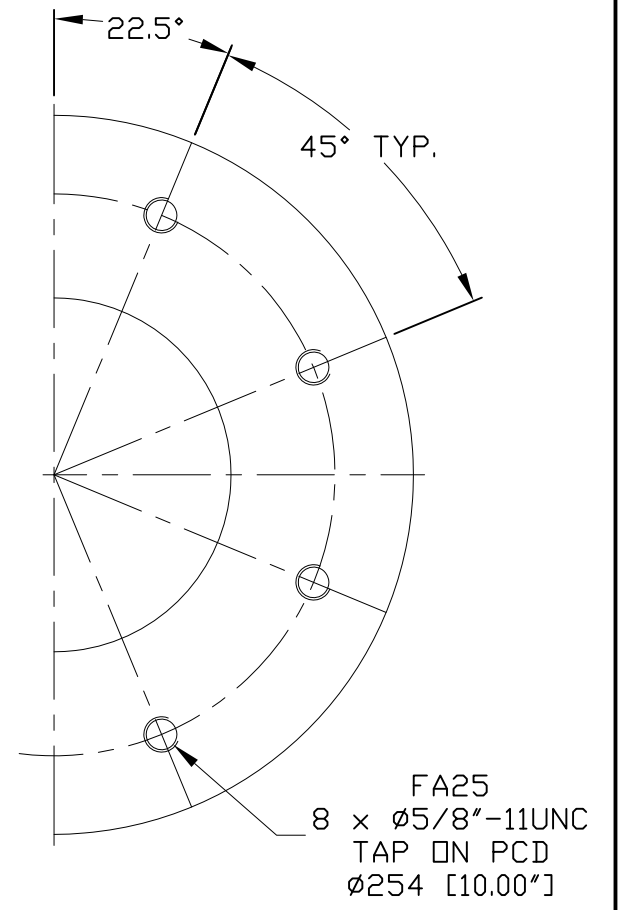
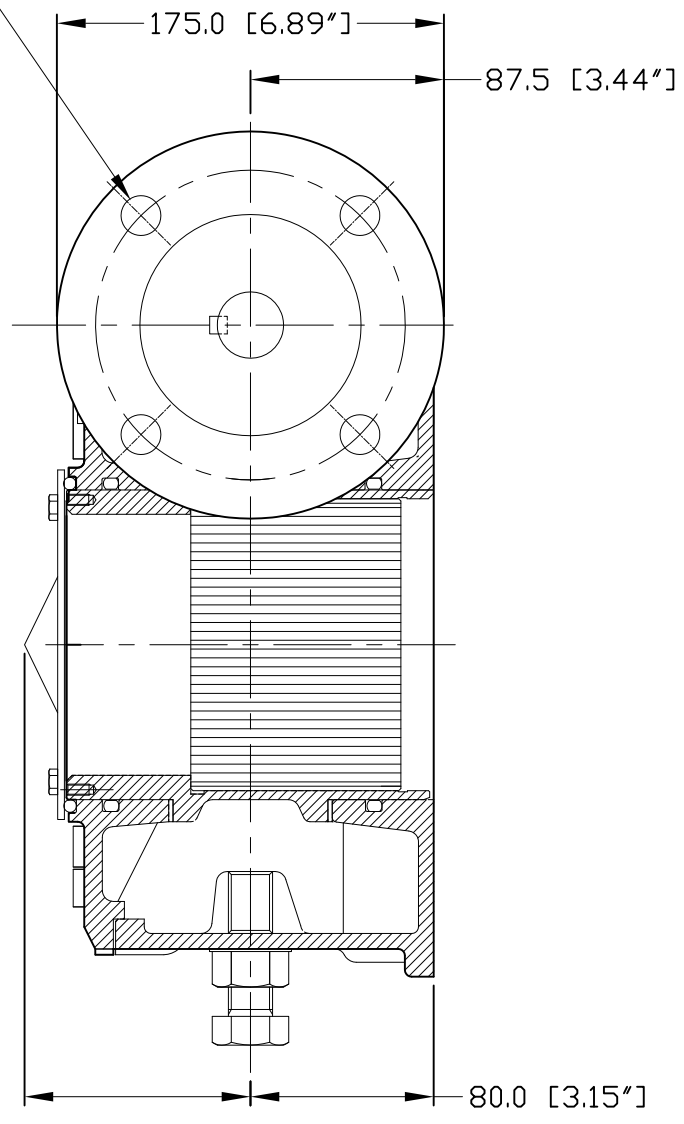
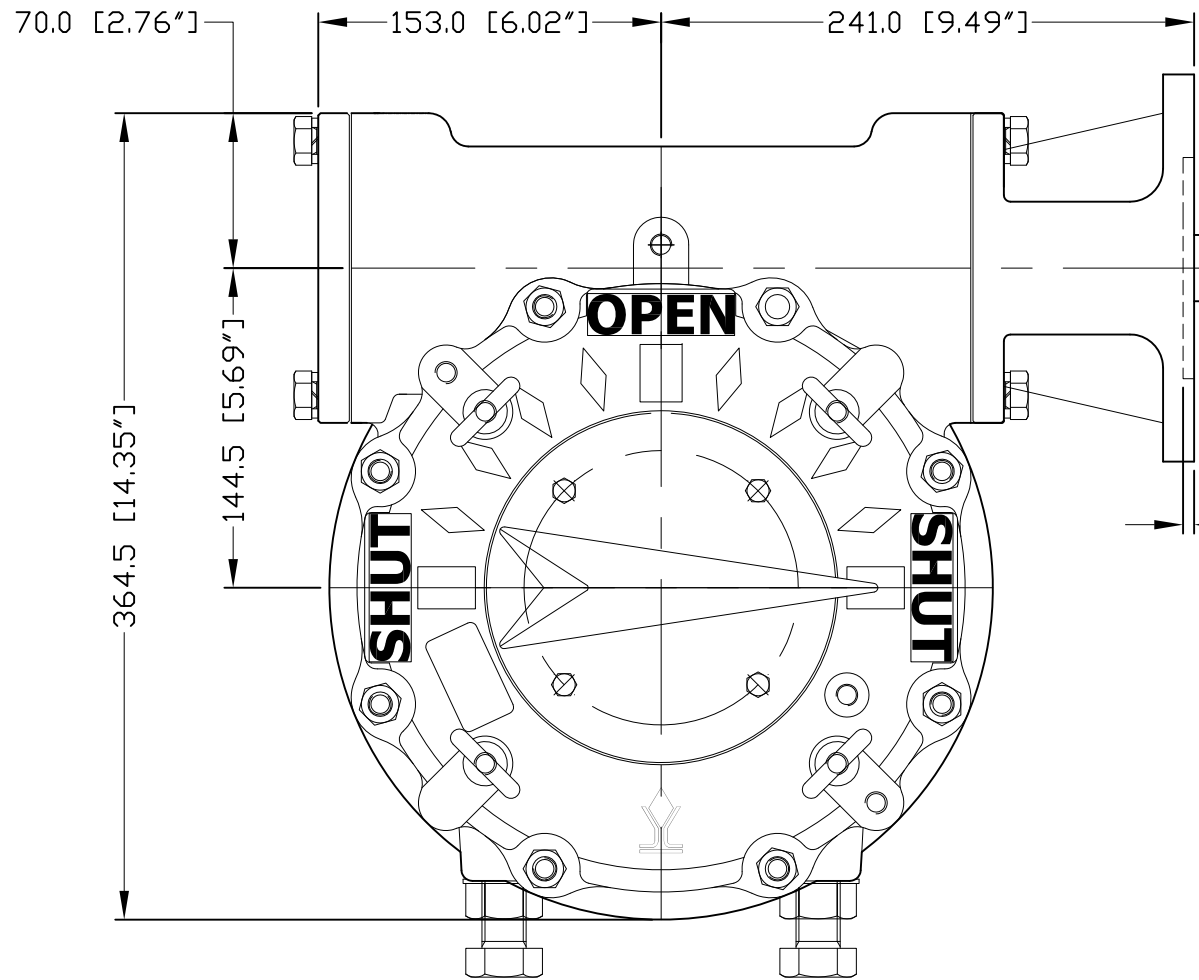


DIAMOND GEAR CO., LTD.

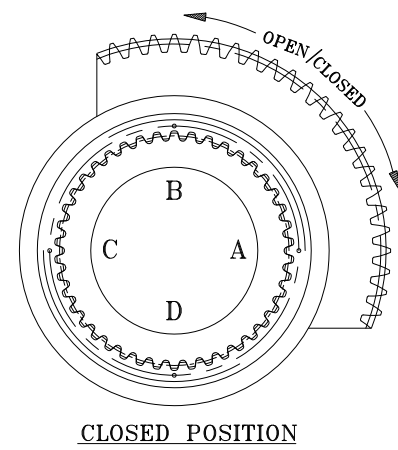
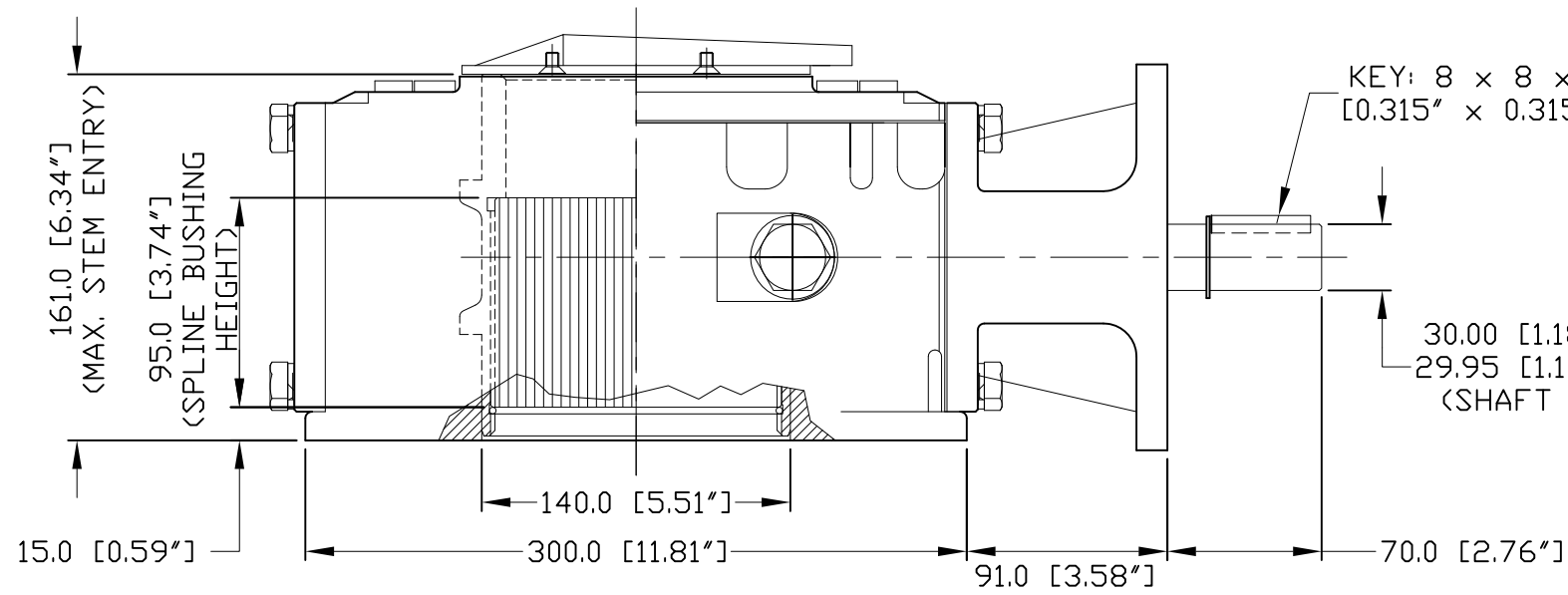
93WG56

FA14
4 x $\phi 18$ [0.71"]
THRU EQ. SPC.
 $\square \phi 140$ [5.512"]
BC STRADDLE C/L



Standard Mounting
Flange For Valve

ISO FA25



DIA.	RIM PULL AT MAX. I/P TORQUE (Lbs.)
18"	487
20"	439
24"	366
30"	292
36"	244
48"	183

UNITS: MM [Inches]

MAX. OUTPUT TORQUE [IN.LB]	MAX. INPUT TORQUE [IN.LB]	RATIO	MECHANICAL ADVANTAGE	OUTPUT ANGULAR STROKE	TURN PER 90°	WEIGHT [LB]	MAX. ROUND BORE [IN.]	MAX. SQUARE BORE [IN.]	EST. MAX. MOUNTING STRADDLE C/L [IN.]	EST. MIN. MOUNTING STRADDLE C/L [IN.]	STANDARD MOUNTING STRADDLE C/L [IN.]
93,444	4,387	56:1	21.3	$\pm 20^\circ$	14	148	$\phi 3.74$ Key: 7/8x5/8	3.0	$\phi 10.75$	$\phi 6.75$	FA25

C921148A 12/12/16

DIAMOND GEAR CO. LTD.
HOUSTON, TEXAS, USA
PHONE: 713-590-0270, FAX: 713-590-0278

REV.A