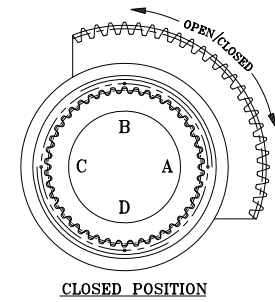
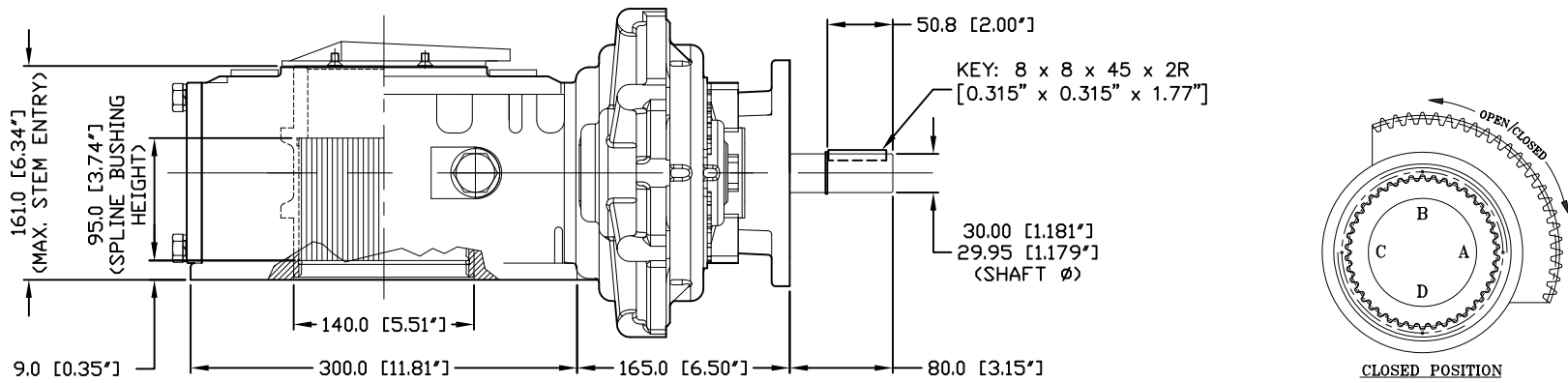
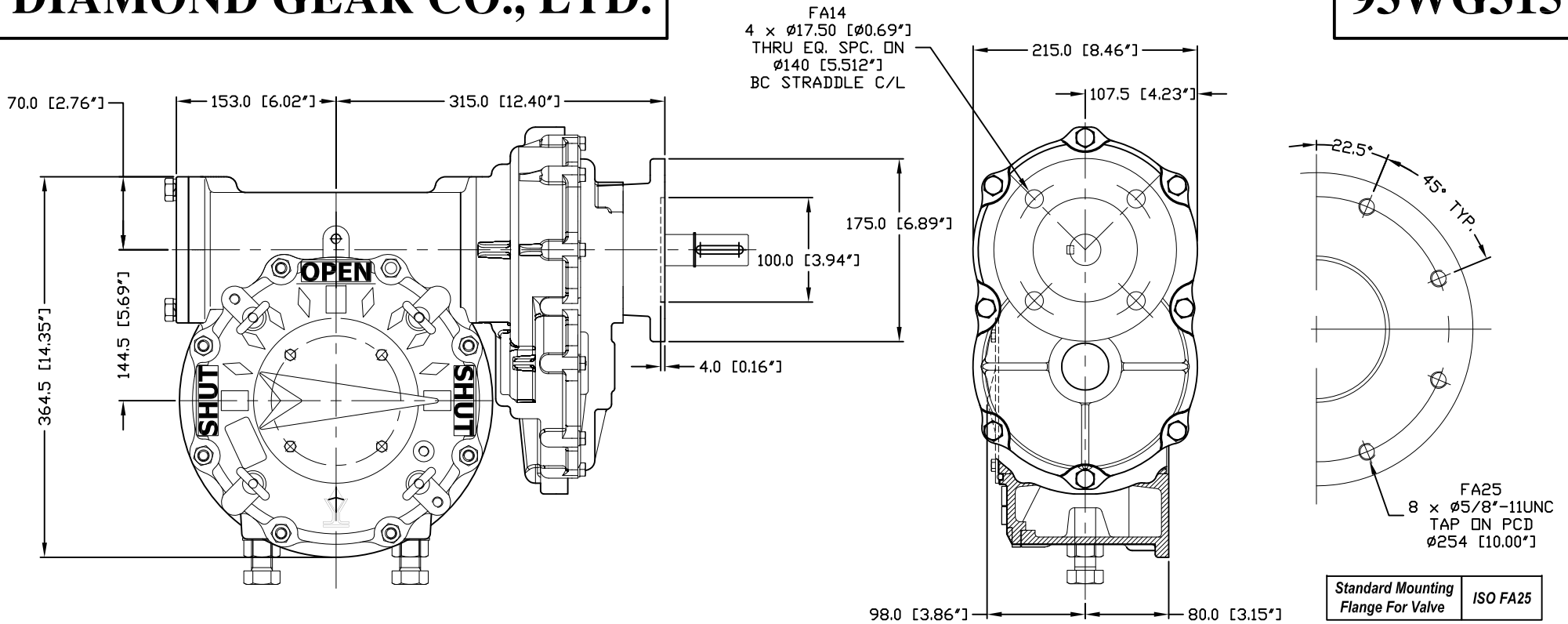


DIAMOND GEAR CO., LTD.

93WG315



DIA.	RIM PULL AT MAX. I/P TORQUE (Lbs.)
14"	115
16"	101
18"	90
20"	81
24"	67
30"	54

UNITS: MM [Inches]

MAX. OUTPUT TORQUE [IN.LB]	MAX. INPUT TORQUE [IN.LB]	RATIO	MECHANICAL ADVANTAGE	OUTPUT ANGULAR STROKE	TURN PER 90°	WEIGHT [LB]	MAX. ROUND BORE [IN.]	MAX. SQUARE BORE [IN.]	EST. MAX. MOUNTING STRADDLE C/L [IN.]	EST. MIN. MOUNTING STRADDLE C/L [IN.]	STANDARD MOUNTING STRADDLE C/L [IN.]
93,444	805.5	315:1	116	$\pm 20^\circ$	78.75	201	$\phi 3.74$ Key: 7/8x5/8	3.0	$\phi 10.75$	$\phi 6.75$	FA25

C921142A

12/12/16

REV.D



DIAMOND GEAR CO. LTD.

HOUSTON, TEXAS, USA

PHONE: 713-590-0270, FAX: 713-590-0278

