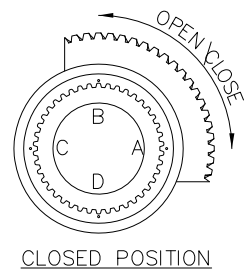
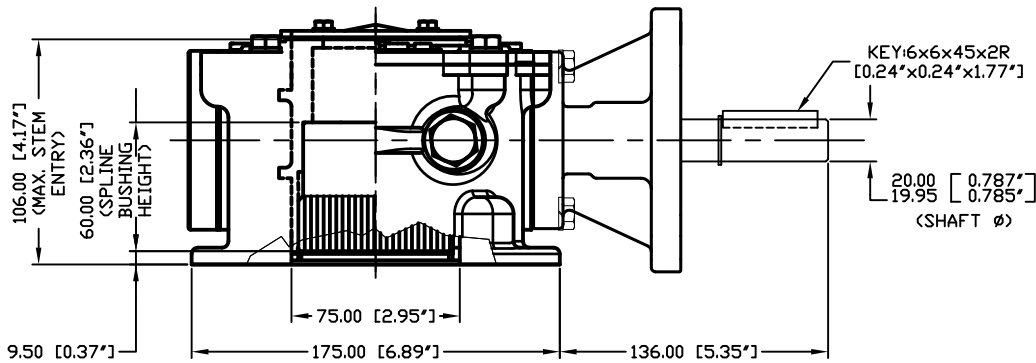
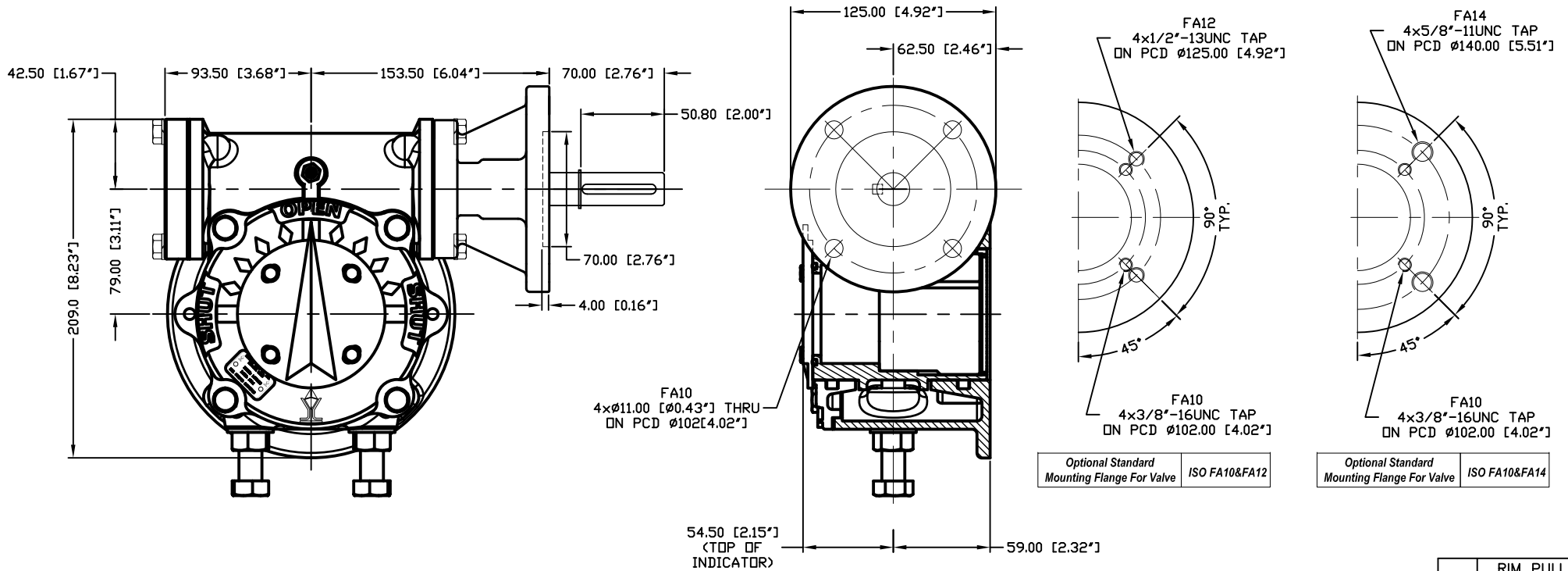


# DIAMOND GEAR CO., LTD.

# 14WG38



DIA.	RIM PULL AT MAX. I/P TORQUE (Lbs.)
10"	183
12"	152
14"	130
16"	114
18"	101
20"	91
24"	76

UNITS: MM [Inches]

MAX. OUTPUT TORQUE [IN.LB]	MAX. INPUT TORQUE [IN.LB]	RATIO	MECHANICAL ADVANTAGE	OUTPUT ANGULAR STROKE	TURN PER 90°	WEIGHT [LB]	MAX. ROUND BORE [IN.]	MAX. SQUARE BORE [IN.]	EST. MAX. MOUNTING STRADDLE C/L [IN.]	EST. MIN. MOUNTING STRADDLE C/L [IN.]	PREFERRED MOUNTING STRADDLE C/L [IN.]
14,877	913	38:1	16.3	±20°	9.50	35	ø1.97 Key: 1/2x3/8	1.50	ø6.00	ø3.75	FA10 & FA12 FA10 & FA14

C921118B

10/21/16

REV.B



**DIAMOND GEAR CO. LTD.**

HOUSTON, TEXAS, USA

PHONE: 713-590-0270, FAX: 713-590-0278

