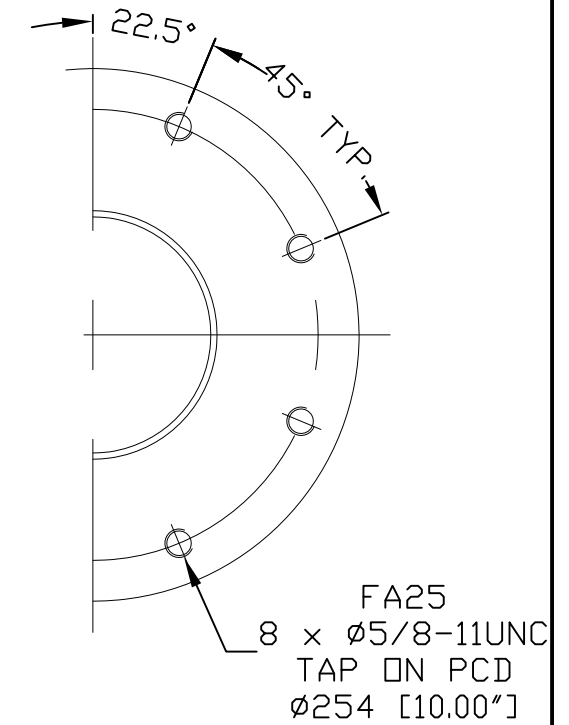
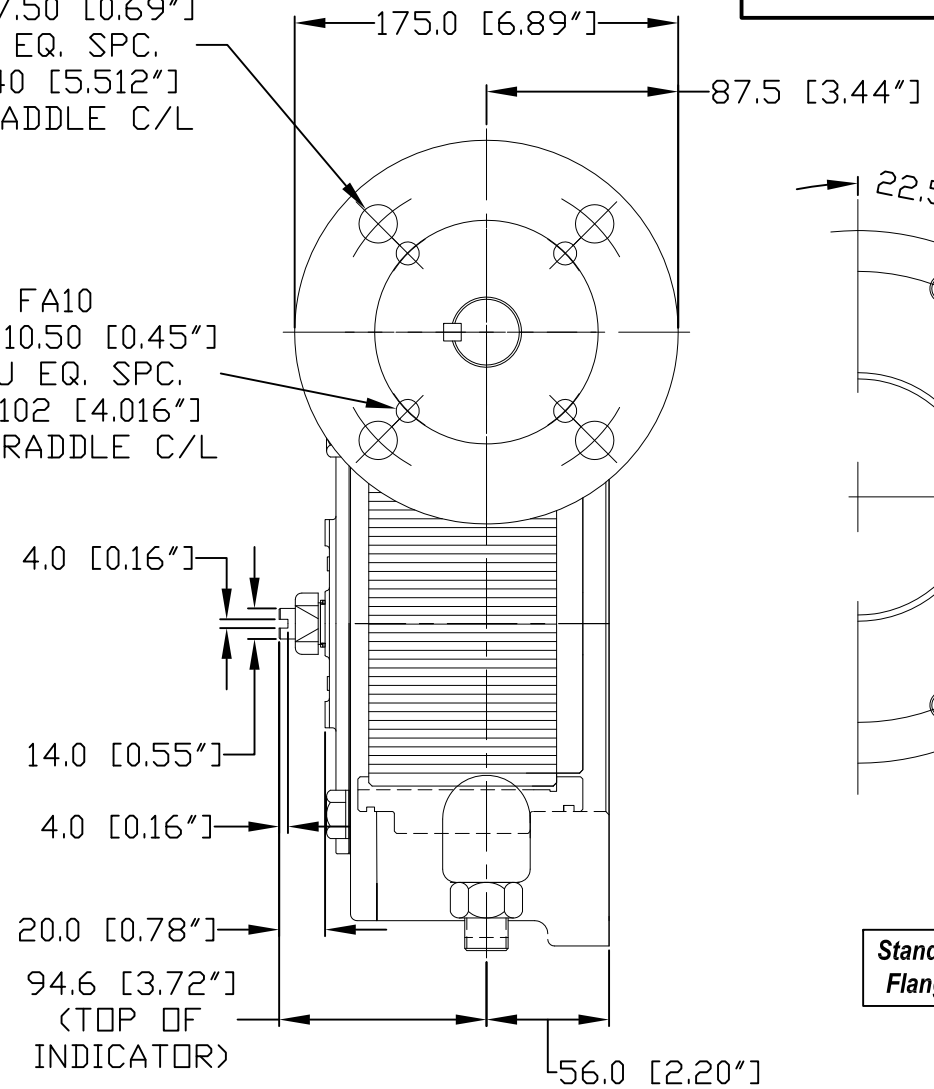
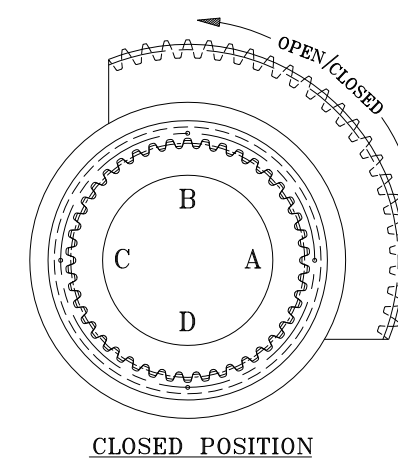
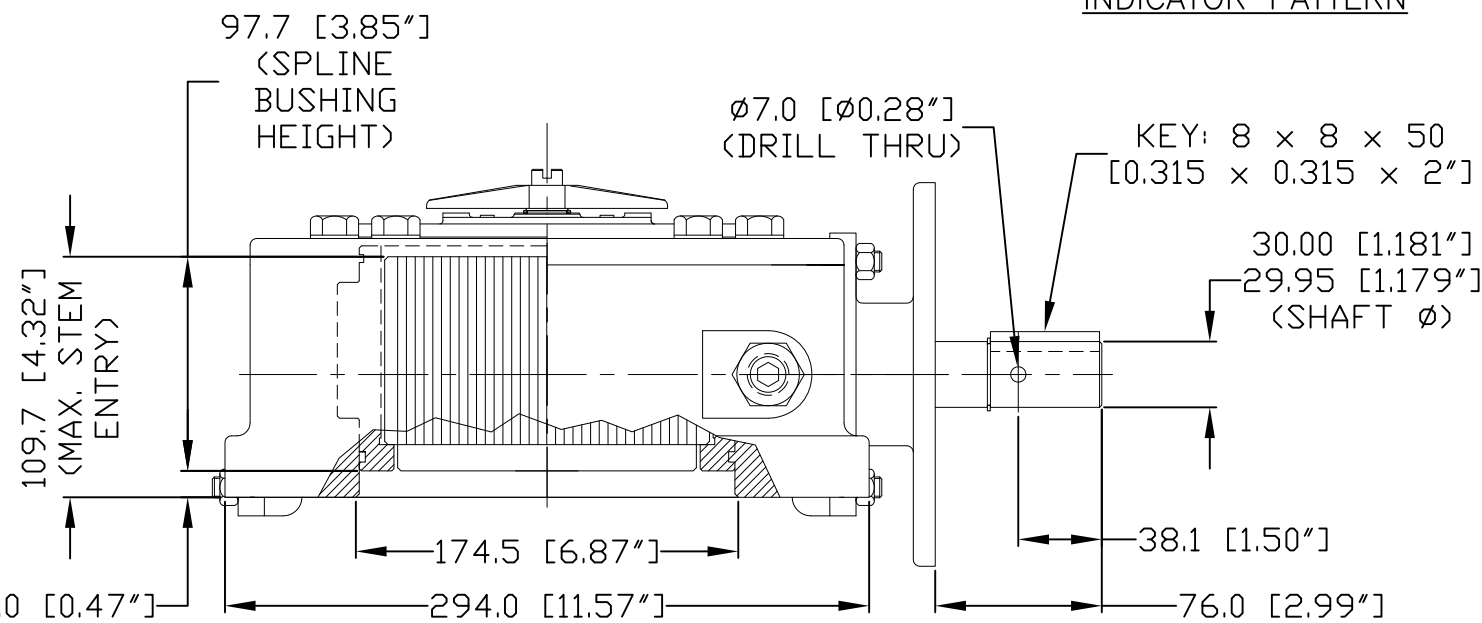
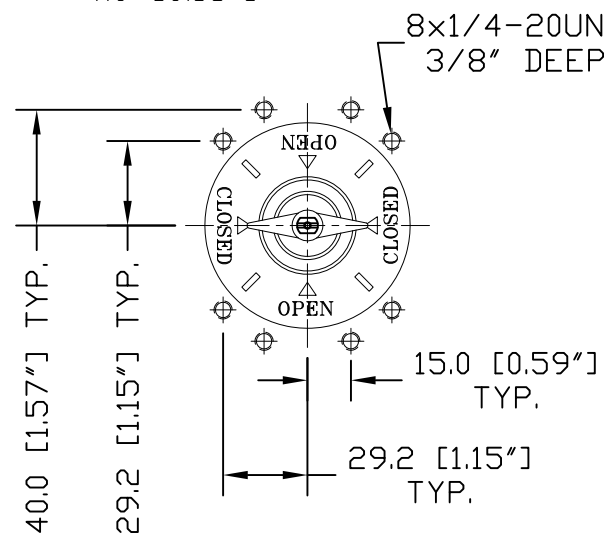


FA14  
4 × Ø17.50 [0.69"]  
THRU EQ. SPC.  
ON Ø140 [5.512"]  
BC STRADDLE C/L

FA10  
4 × Ø10.50 [0.45"]  
THRU EQ. SPC.  
ON Ø102 [4.016"]  
BC STRADDLE C/L



Standard Mounting Flange For Valve ISO FA25



DIA.	RIM PULL AT MAX. O/P TORQUE (Lbs.)
18"	378
20"	341
24"	284
30"	227
36"	189

UNITS: MM [Inches]

C400097A

REV.B

5/28/13

MAX. OUTPUT TORQUE [IN.LB]	MAX. INPUT TORQUE [IN.LB]	RATIO	MECHANICAL ADVANTAGE	OUTPUT ANGULAR STROKE	TURN PER 90°	WEIGHT [LB]	MAX. ROUND BORE [IN.]	MAX. SQUARE BORE [IN.]	EST. MAX. MOUNTING STRADDLE C/L [IN.]	EST. MIN. MOUNTING STRADDLE C/L [IN.]	STANDARD MOUNTING STRADDLE C/L [IN.]
63,000	3,405	74:1	18.5	±5°	18.5	125	Ø4" Key: 3/4x1"	2.812	Ø10.25	Ø7.75	FA25



**DIAMOND GEAR CO. LTD.**

HOUSTON, TEXAS, USA

PHONE: 713-590-0270, FAX: 713-590-0278

