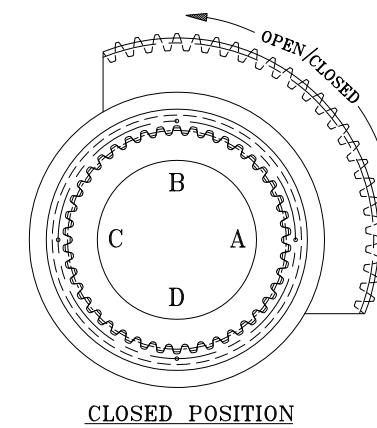
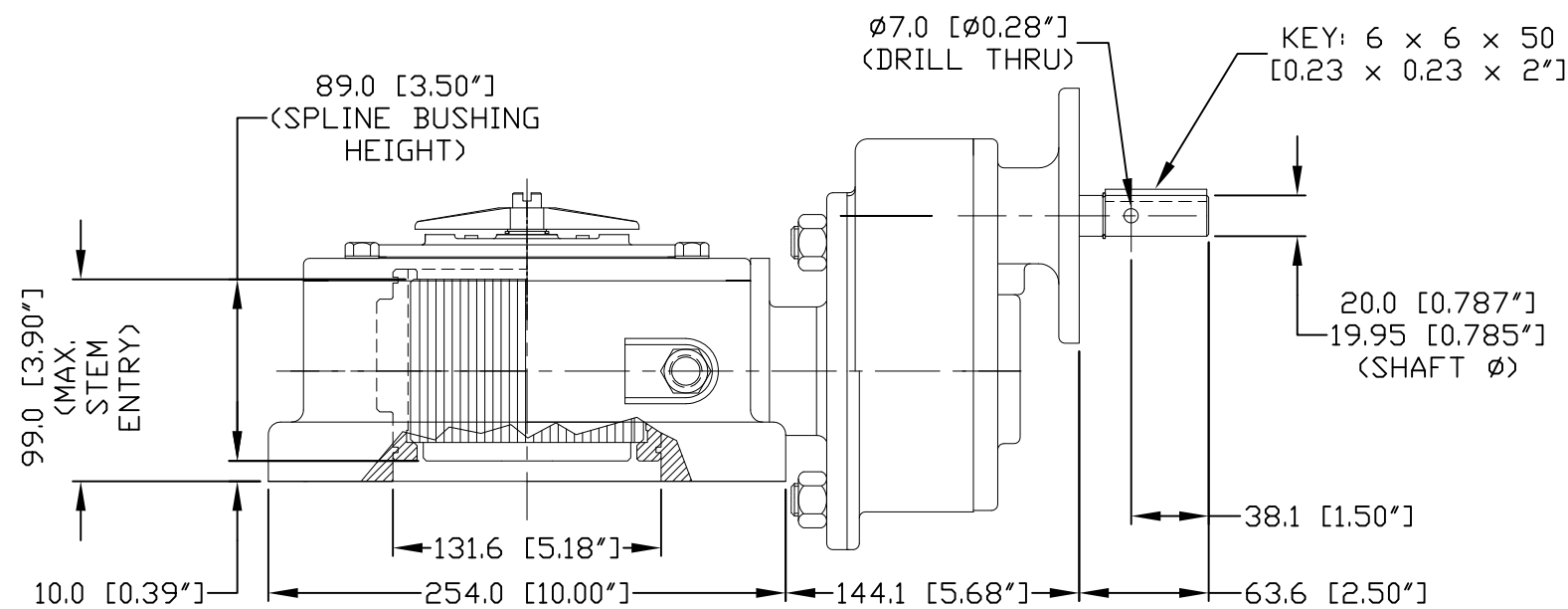


INDICATOR PATTERN



Standard Mounting Flange For Valve ISO FA16 & FA19

DIA.	RIM PULL AT MAX. O/P TORQUE (Lbs.)
12"	147
14"	126
16"	111
18"	98
20"	88
24"	74
30"	59
36"	49

UNITS: MM [Inches]

C400100A

REV.B

5/28/13

MAX. OUTPUT TORQUE [IN.LB]	MAX. INPUT TORQUE [IN.LB]	RATIO	MECHANICAL ADVANTAGE	OUTPUT ANGULAR STROKE	TURN PER 90°	WEIGHT [LB]	MAX. ROUND BORE [IN.]	MAX. SQUARE BORE [IN.]	EST. MAX. MOUNTING STRADDLE C/L [IN.]	EST. MIN. MOUNTING STRADDLE C/L [IN.]	STANDARD MOUNTING STRADDLE C/L [IN.]
43,000	884	216:1	48.6	±5°	54	102	ø3.25" Key: 3/4x1/2"	2.50	ø8.50	ø6.25	FA16 & FA19

**DIAMOND GEAR CO. LTD.**  
 HOUSTON, TEXAS, USA  
 PHONE: 713-590-0270, FAX: 713-590-0278