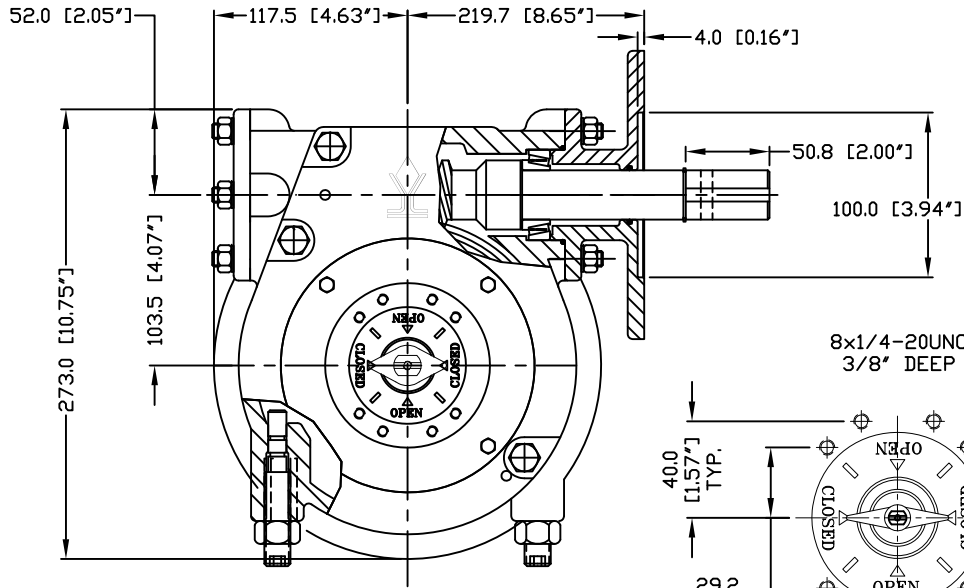


# DIAMOND GEAR CO., LTD.

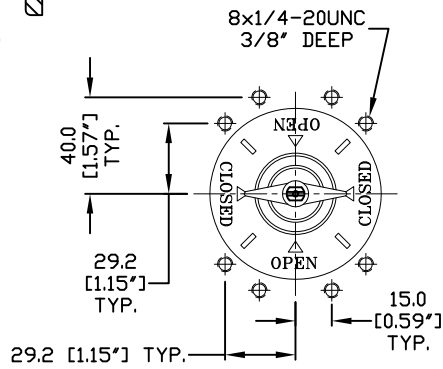
# 26WG68-02



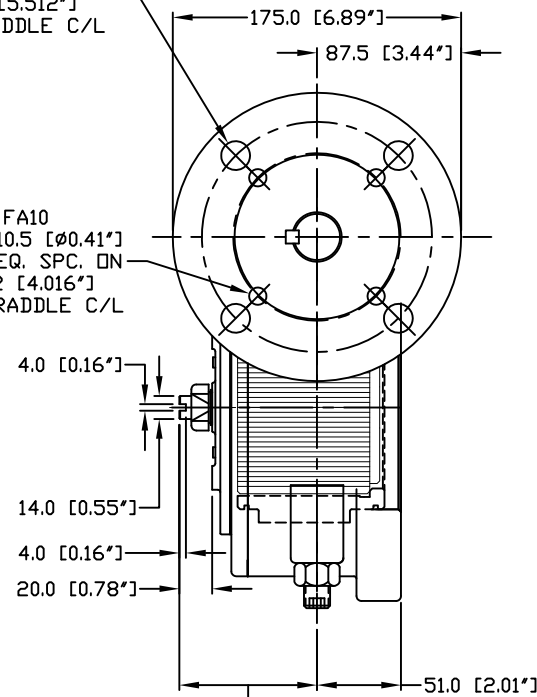
FA14  
4 x  $\phi 17.5$  [ $\phi 0.69$ "]  
THRU EQ. SPC. ON  
 $\phi 140$  [ $5.512$ "]  
BC STRADDLE C/L

FA10  
4 x  $\phi 10.5$  [ $\phi 0.41$ "]  
THRU EQ. SPC. ON  
 $\phi 102$  [ $4.016$ "]  
BC STRADDLE C/L

FA16  
4 x  $\phi 3/4$ "-10UNC  
TAP ON PCD  
 $\phi 165$  [ $6.496$ "]

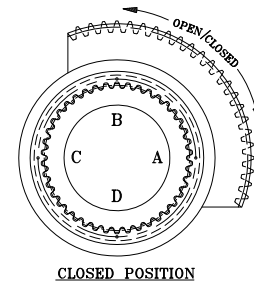
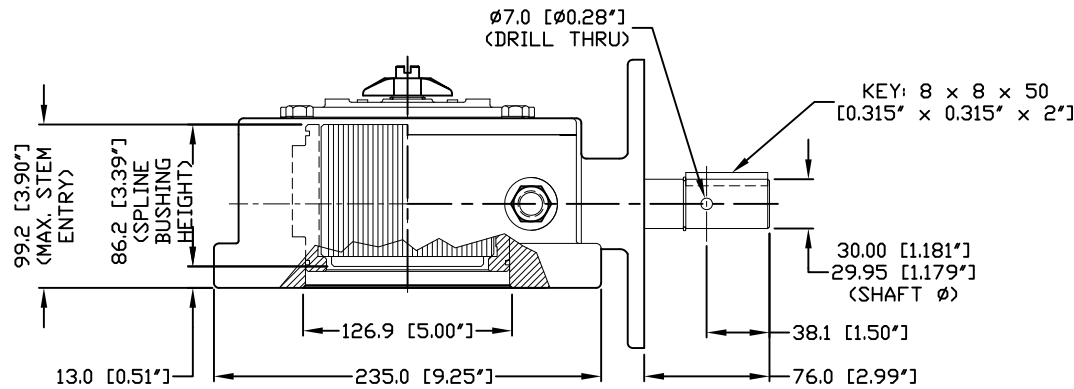


INDICATOR PATTERN



Standard Mounting  
Flange For Valve

ISO FA16



DIA.	RIM PULL AT MAX. I/P TORQUE (Lbs.)
12"	228
14"	195
16"	171
18"	152
20"	137
24"	114
30"	91
36"	76

REV.C

C400101A

10/21/16

UNITS: MM [Inches]

MAX. OUTPUT TORQUE [IN.LB]	MAX. INPUT TORQUE [IN.LB]	RATIO	MECHANICAL ADVANTAGE	OUTPUT ANGULAR STROKE	TURN PER 90°	WEIGHT [LB]	MAX. ROUND BORE [IN.]	MAX. SQUARE BORE [IN.]	EST. MAX. MOUNTING STRADDLE C/L [IN.]	EST. MIN. MOUNTING STRADDLE C/L [IN.]	STANDARD MOUNTING STRADDLE C/L [IN.]
26,000	1,368	68:1	19	±5°	17	68	$\phi 2.875$ Key: 3/4x1/2	2.31	$\phi 8.00$	$\phi 6.00$	FA16



DIAMOND GEAR CO. LTD.

HOUSTON, TEXAS, USA

PHONE: 713-590-0270, FAX: 713-590-0278

