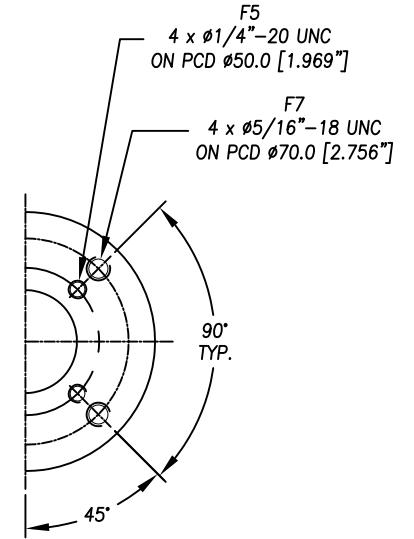
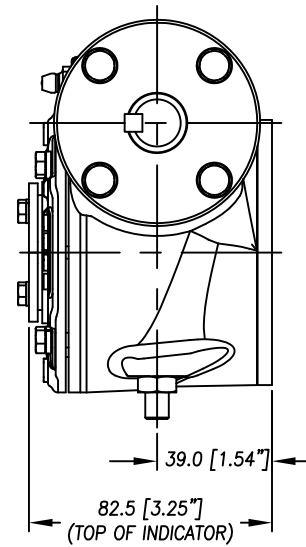
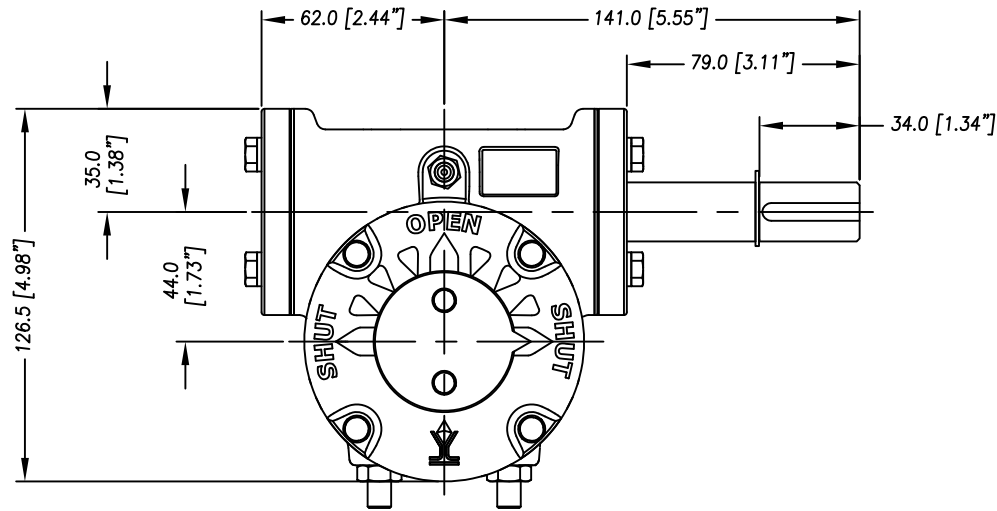
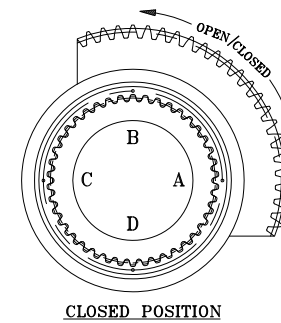
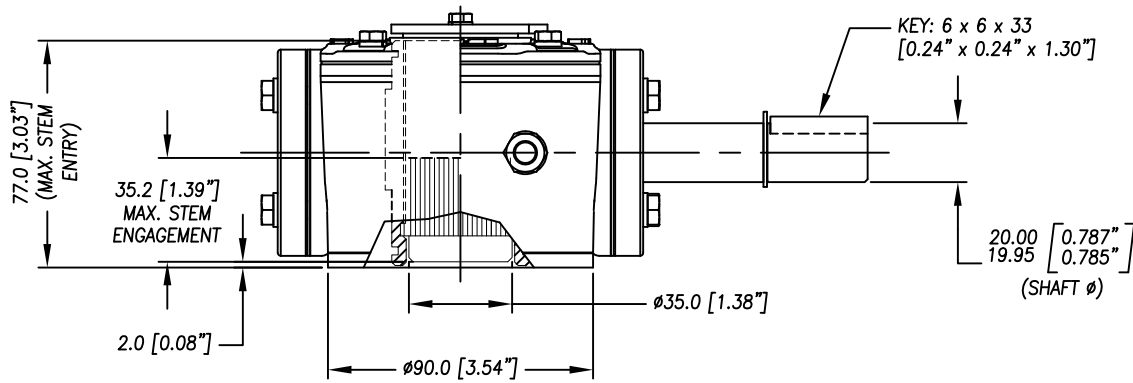


DIAMOND GEAR

2.8WG32



Standard Mounting Flange For Valve ISO F5 & F7



DIA.	RIM PULL AT MAX. 1/P TORQUE (Lbs.)
6"	85
8"	64
10"	51
12"	42
14"	36
16"	32

REV.0

C921207A

11/08/17

UNITS: MM [Inches]

MAX. OUTPUT TORQUE [IN.LB]	MAX. INPUT TORQUE [IN.LB]	RATIO	MECHANICAL ADVANTAGE	OUTPUT ANGULAR STROKE	TURN PER 90°	WEIGHT [LB]	MAX. ROUND BORE [IN.]	MAX. SQUARE BORE [IN.]	STANDARD MOUNTING STRADDLE C/L
2,848	254	32:1	11.2	±5°	8	13	ø0.75 Key: 0.188x0.188	0.716	F5 & F7



CNC FLOW CONTROL
HOUSTON, TEXAS, USA



PHONE: 713-466-1644, FAX: 713-466-1715