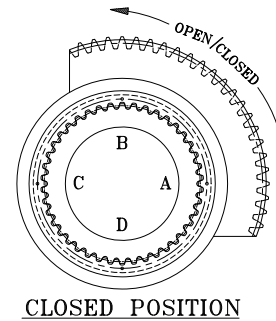
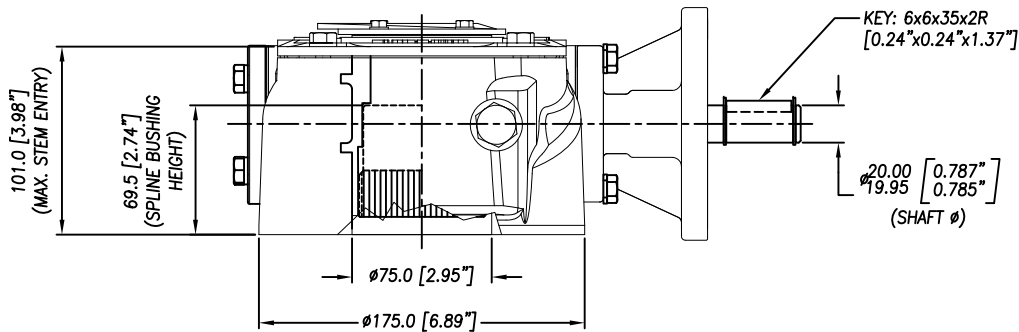


Standard Mounting Flange For Valve	ISO FA14
---------------------------------------	----------



DIA.	RIM PULL AT MAX. I/P TORQUE (Lbs.)
16"	135

REV.0

C921209A

12/12/17

UNITS: MM [Inches]

MAX. OUTPUT TORQUE [IN.LB]	MAX. INPUT TORQUE [IN.LB]	RATIO	MECHANICAL ADVANTAGE	TURN PER 90°	WEIGHT [LB]	MAX. ROUND BORE [IN.]	MAX. SQUARE BORE [IN.]	STANDARD ACTUATOR MOUNTING STRADDLE C/L	STANDARD VALVE MOUNTING STRADDLE C/L
16,000	1,081	40:1	14.8	10	31	1.875 Key: 1/2x3/8	1.625	FA10	FA14

**DIAMOND GEAR CO. LTD.**  
 HOUSTON, TEXAS, USA  
 PHONE: 713-590-0270, FAX: 713-590-0278